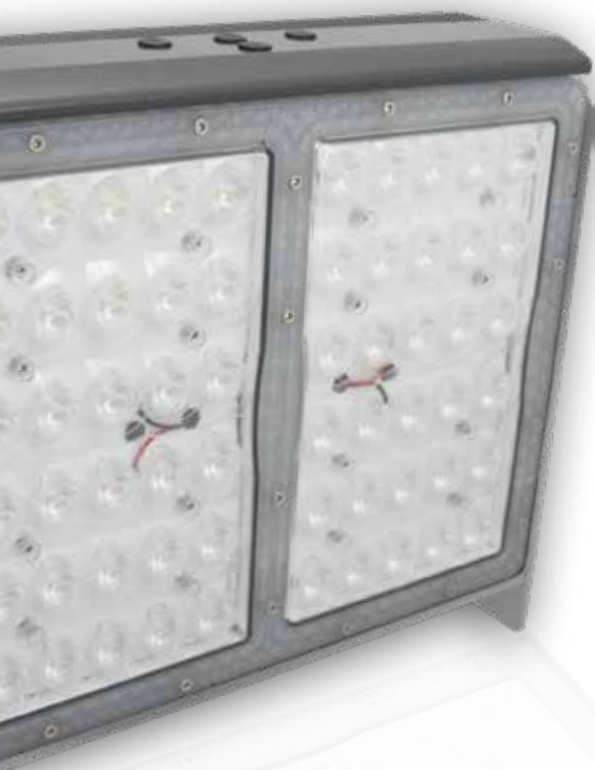




# HIGH MAST LIGHTING

Maritime and Structural Applications



LED | LIGHTING CATALOG

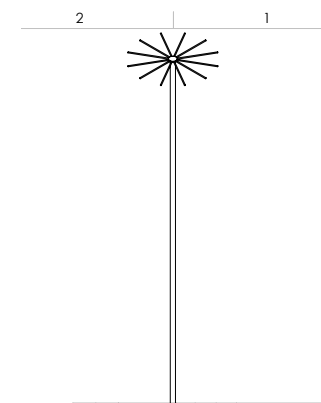


# ENGINEERED LIGHTING SOLUTIONS

**Vision X lighting** fixtures are not merely lighting systems, they are engineered lighting solutions. They provide increased efficiency, increased safety, decreased environmental impact, and decreased costs. Vision X LED lights offer a large increase in energy efficiency over older technologies while also increasing the safety and productivity of the working environment by outputting 80% more light than the fixtures used previously.

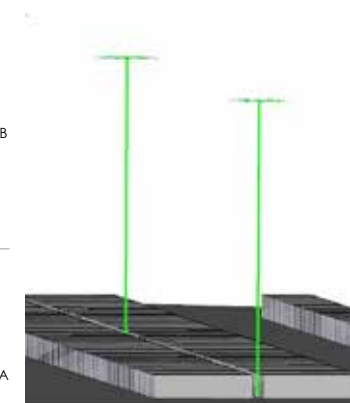


## SOLUTION PROCESS



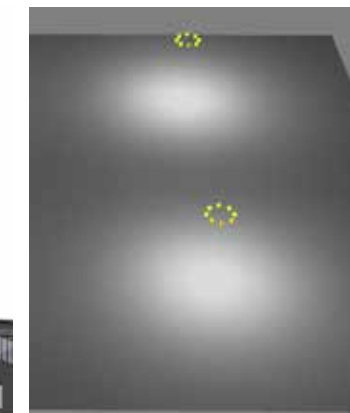
### 2D BLUEPRINT

Vision X Lighting begins each project with a customer provided list of machines to be retrofitted, then gathers the technical information for those machines.



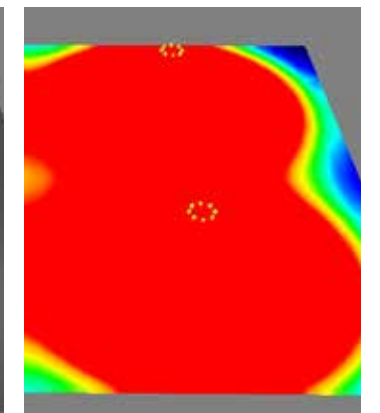
### 3D MODEL

A 3D model is built to the customer's specifications, then carried over into the rendering.



### SIMULATION RENDER

A simulation rendering ensures the final product will meet the customer's lighting requirements.

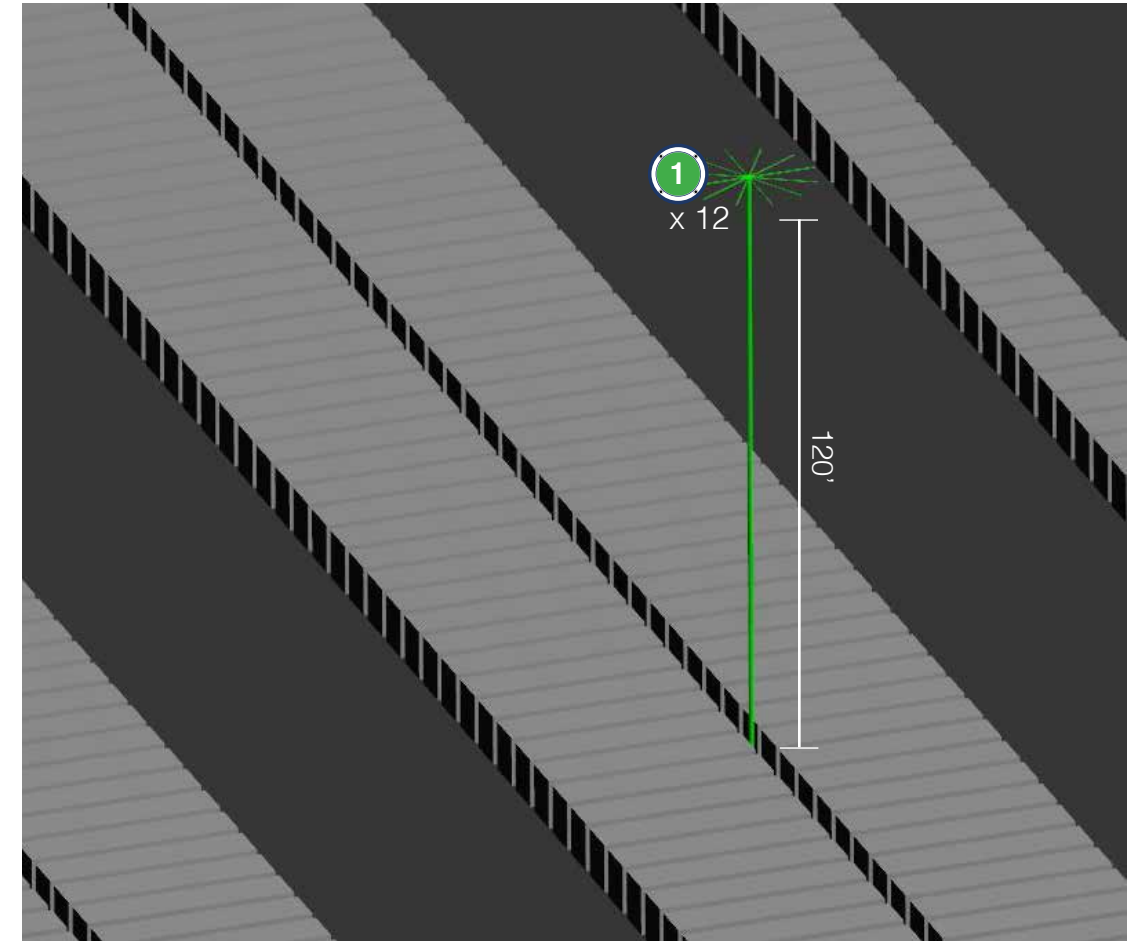
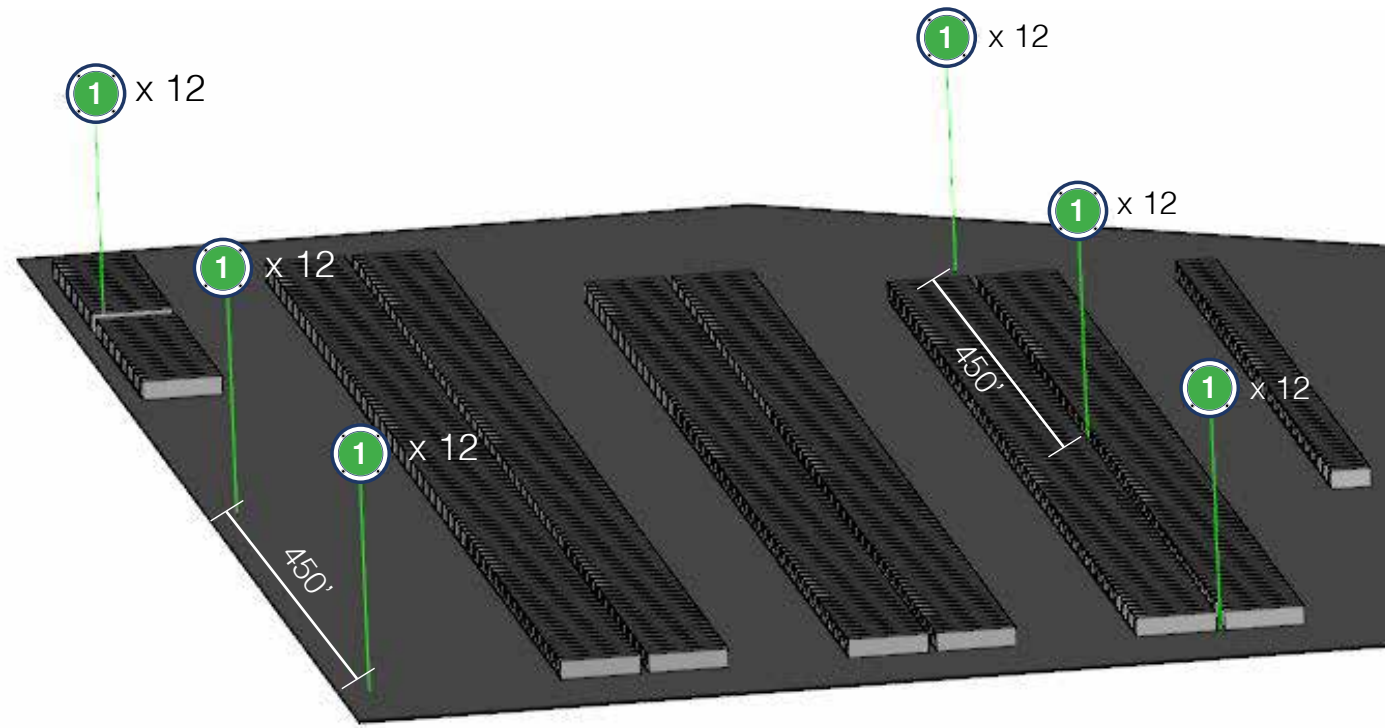


### SOLUTION

Vision X Lighting creates a complete breakdown of the customer's specific needs to meet their safety requirements.



# HIGH MAST FITOUT GUIDE



**1 AC 280W**  
 HIGH MAST LIGHTING  
**AC-SERIES AREA LIGHT**  
 Number of Fixtures : **Application Specific**  
 Locations : **High Mast**  
 Beam Pattern : **10°, 25°, 40°**  
 Part # : **LSG00660xxSTRHDQC**



**1 AC 280W**  
 HIGH MAST LIGHTING  
**AC-SERIES AREA LIGHT**  
 Number of Fixtures : **Application Specific**  
 Locations : **High Mast**  
 Beam Pattern : **10°, 25°, 40°**  
 Part # : **LSG00660xxSTRHDQC**



# HIGH MAST LIGHTING

## Product Information

Project Name:  
Date:  
Type:

### Application

Designed to outshine and outlast the competition, the AC Mast Lighting fixture features advanced electronic technology like Pulse Width Modulation, Electronic Thermal Management, and a Redundant Circuit Design (60 LED) that allow the fixture to function even if half of the light should fail for unknown reasons. This is part of the effort by Vision X to ensure that the AC Boom Lighting fixture is the most dependable LED fixture in the workplace.

### SPECIFICATIONS 280-WATT HIGH LED

#### Mechanical Information:

<b>Fixture Weight:</b>	37.05 lbs (16.81kg)
<b>Shipping Weight:</b>	40.05 lbs (18.17kg)
<b>Mounting/ Entries: (See Accessories)</b>	(1) 3/4" NPT - TOP (2) 3/4" NPT 90° - SIDES (2) 3/4" NPT 45° - SIDES

#### Electric Specifications:

<b>Operating Voltage:</b>	90 - 305V AC 127 - 431V DC
<b>Lumens:</b>	36000 lm
<b>Wattage:</b>	280W
<b>Operating Temp:</b>	-40°C ~ 60°C
<b>THD:</b>	<20% (@load≥50% / 115VAC,230VAC) (@load≥75% / 277VAC)
<b>Power Factor:</b>	≥ 0.98/115VAC ≥ 0.95/230VAC ≥ 0.92/277VAC
<b>Short Circuit:</b>	Constant Current Limiting, Recovers Automatically After Fault Condition is Removed
<b>Frequency:</b>	47-63Hz
<b>Vibration:</b>	15.6Grms

#### Construction:

<b>Housing:</b>	Die-Cast 6061 Aluminum
<b>Finish:</b>	Gloss Grey
<b>Lens:</b>	Polycarbonate Lens

#### LED Light Engine / Driver

<b>LED:</b>	XP-LHD(CREE)
<b>Amp Draw:</b>	2.43A @ 115VAC 1.22A @ 230VAC 1.01A @ 277VAC
<b>Lifespan:</b>	50,000 hr



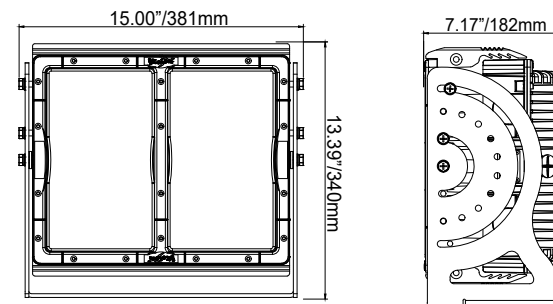
Stainless Steel Brackets



PART #:	BEAM PATTERN
1 LSG00660xxSTRHDQC	10°, 25°, 40°

High Voltage Available

#### 2D DRAWING:



#### RATINGS:

<b>EMC Emission:</b>	Compliance to EN55015, EN55022 (CISPR22) Class B, EN61000-3-2 Class C (@Load ≥ 50%); EN61000-3-3
<b>EMC Immunity:</b>	Compliance to EN61000-4-2,3,4,5,6,8,11, EN61547, EN55024, Light Industry Level (surge immunity Line-Earth 4KV, Line-Line 2KV)
<b>UL 1598A Marine:</b>	✓
<b>Ingress Protection:</b>	IP-68, IP69k





**VISION X USA**  
1601 Boundary Blvd  
Auburn WA 98001  
United States of America  
P: 253-218-2900  
[www.vxmaritime.com](http://www.vxmaritime.com)



**VISION X ASIA**  
23-7 Dongtansandan  
9-gil Dongtan-myeon Hwaseong-si  
Gyeonggi-do 18487, Korea  
P: 82-32-515-4814  
[www.visionxlighting.com](http://www.visionxlighting.com)