



1FT LINEAR FIXTURE

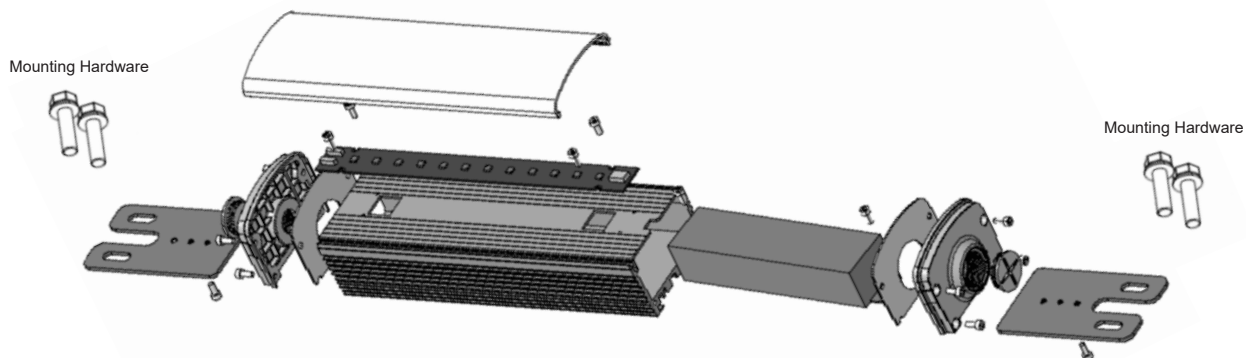
MOUNTING INSTRUCTION AC 1FT LINEAR LIGHT LLG0212180F

SAFETY INSTRUCTION

IMPORTANT: NEVER attempt any work without turning off the electricity.

- Please read all instructions before installation.
- Intended for installation by a qualified electrician in accordance with the National Electrical Code and local regulations.
- Go to the main electrical panel. Place the main power switch in the "OFF" position switch "OFF" the circuit breaker switch(es) that control the power to the fixture or room that you are working on.
- Place the wall switch in the "OFF" position.

Figure 2



MOUNTING

1. Mount using provided hardware as described in Figure 2.